

H G F E D C B A

4

3

2

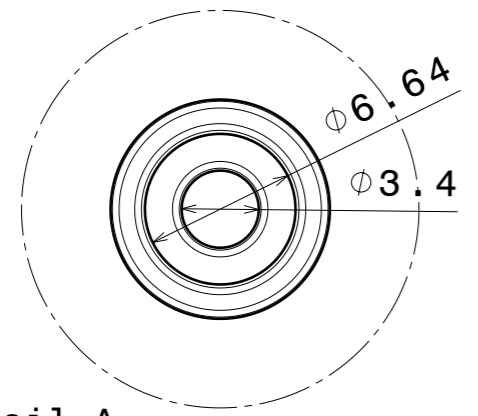
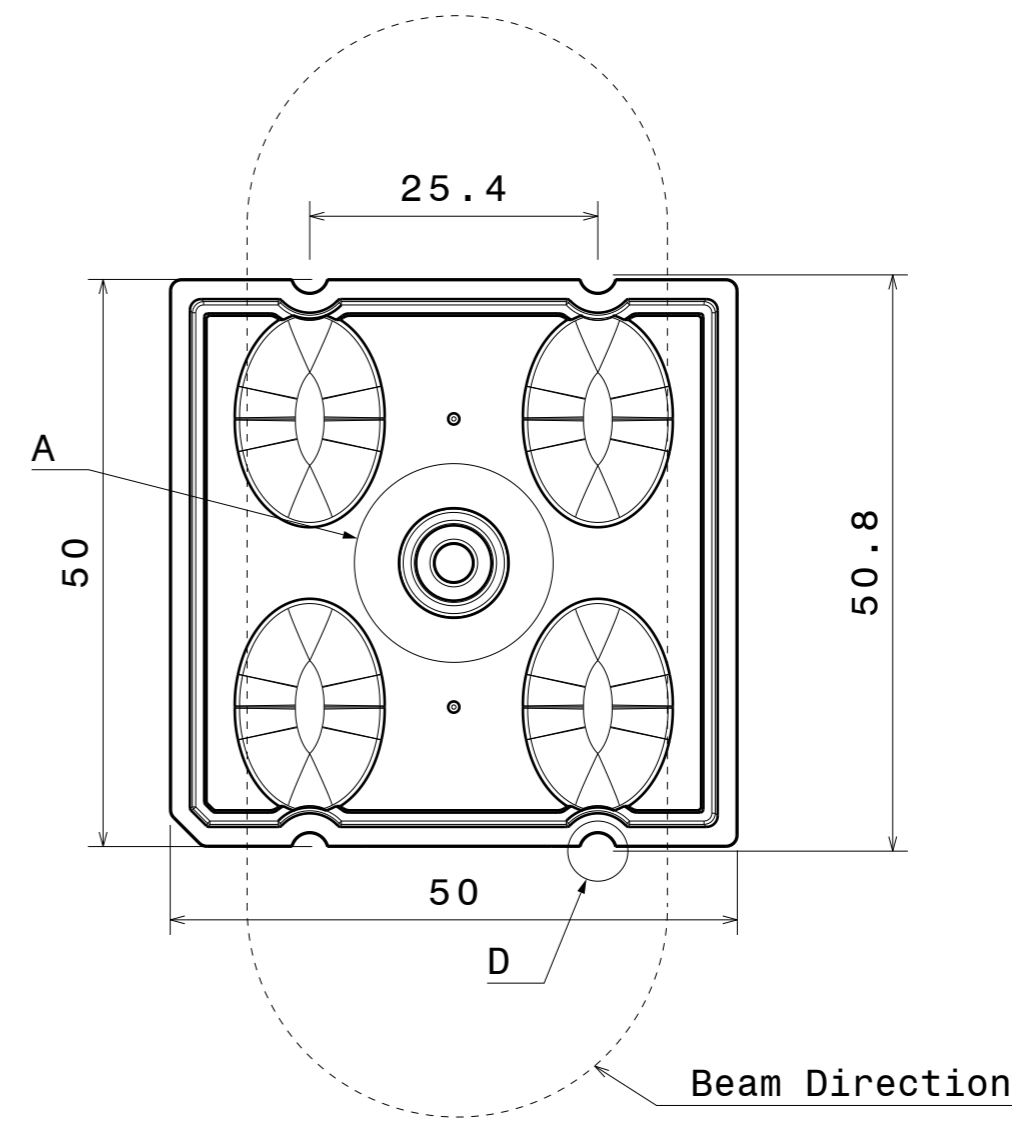
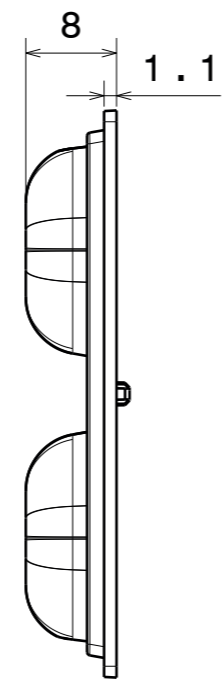
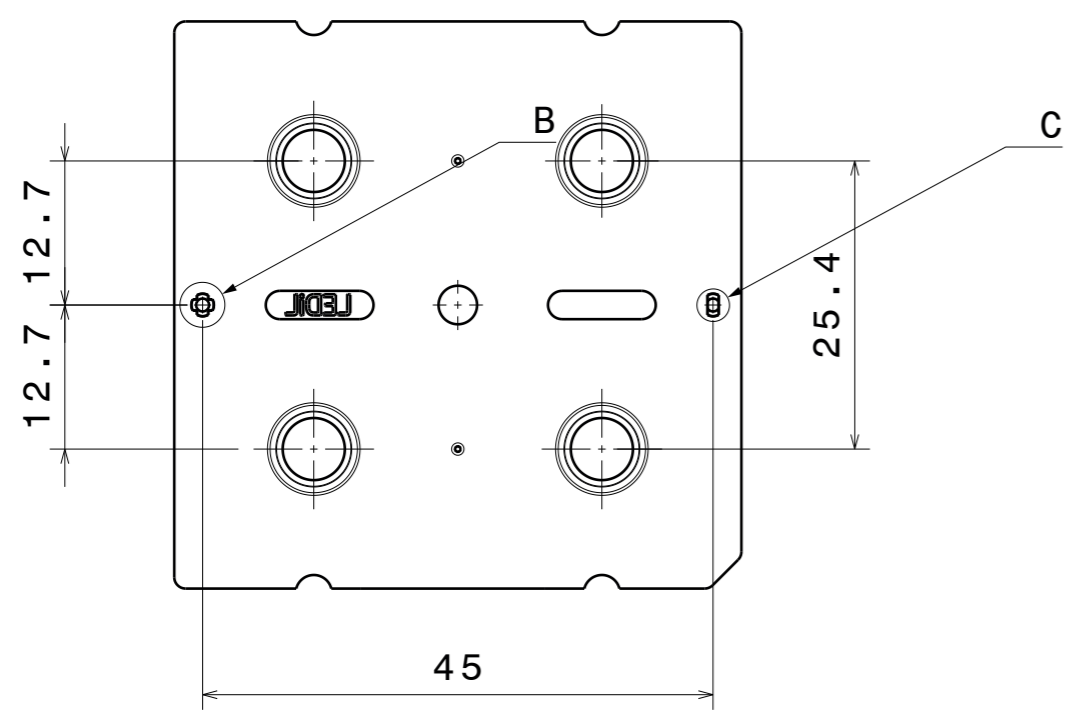
1

4

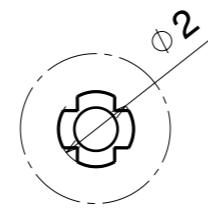
3

2

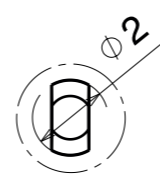
1



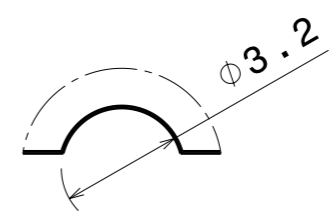
Detail A
Scale: 3:1



Detail B
Scale: 5:1



Detail C
Scale: 5:1



Detail D
Scale: 5:1

INDEX	PART NO	DESCRIPTION	MATERIAL	COLOUR
1	C15135	STRADA-2X2-T1	PMMA	

Plastic moulding general tolerances according to DIN 16901-130 and applies if not otherwise shown in the drawing.
Silicone moulding general tolerances according to ISO 3302-1 Class M3 and applies if not otherwise shown in the drawing.

LEDiL LediL Oy
Salorankatu 10
FIN 24240 SALO
Finland

THIRD ANGLE PROJECTION:

DRAWING TITLE
C15135_STRADA-2X2-T1

This drawing is the property of LEDiL Oy. It may not be reproduced, copied or communicated without a written agreement with LEDiL Oy.

SIZE	PART NUMBER
A3	C15135

SCALE	3:2	WEIGHT	8,48 g	SHEET	1/1
-------	-----	--------	--------	-------	-----

H G B A